



**"CLASSIC"
SINGLE ENDED
ULTRA-LINEAR
TUBE OUTPUT**

Path: [Home](#) > [Transformer Index](#) > [Audio](#) > "Classic" - Single Ended - Ultra Linear - Output

Key Features:

- Over designed for single ended tube output circuits (triode, tetrode or pentode tubes).
- For general purpose or replacement use in single ended tube output circuits see our [125SE series](#).
- Enclosed (shielded), 4 slot, above chassis Type "X" mounting, both end bells include knockouts for optional above chassis wiring.
- Frequency response at least 20 Hz. to 20 Khz. at full rated power (+/- 1 db max. ref. 1 Khz.)
- Insulated flexible leads 8" min.
- All units (except the 1642SE) include a 40% screen tap for Ultra-Linear operation (if desired). The 1642SE does NOT include this screen tap.
- High quality laminations, (M6) grain oriented silicon steel

Cat. No.	Audio Watts	Primary		Secondary Impedance	Wt. Lbs.
		Impedance	Max. DC Bias		
1627SE	25	2,500	132 ma.	4-8-16	11
1628SE	25	5,000	132 ma.	4-8-16	11
1629SE	25	6,500	167 ma.	4-8-16	11
1640SE	25	1,250	336 ma.	4-8-16	11
1642SE	75	5,000	213 ma.	4-8-16	28

Suggested Tube Types:

Cat. No.	Triodes	Pentodes
1627SE	2A3, 6A3, 6B4G, 300B	6CA7, 6L6, 807, 5881, 6550, Parallel - 6AQ5, 6V6, EL84
1628SE	SV572-3, SV572-10, SV811-3, 211,	6AQ5, 6V6, 6L6, 807, 5881, 6550, EL84

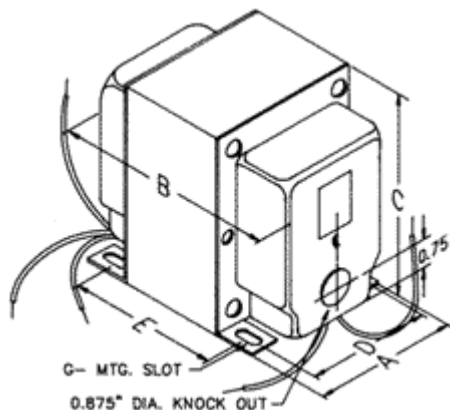
	300B	
1629SE	SV572-30, SV572-160, SV811-10, 811A, 572B	-
1640SE	Parallel - SV811-3, 2A3, 6A3, 6B4G, 300B	Parallel - 6550, 6CA7
1642SE	SV-572-3, SV572-10, SV572-30, SV572-160, 845	-

Notes: The above examples of possible combinations are to help you narrow down the choices of transformers for your favorite tube types. How you operate the tubes (ultra-linear, class, B+, bias, operating points, etc.) will change optimum plate load impedance. Only a few of the most popular tubes are shown. As more tubes become available we will add them to the list. A tube manual or tube manufacturer's technical data sheets should be consulted first, before making a decision on a proper output transformer.

Test Data:

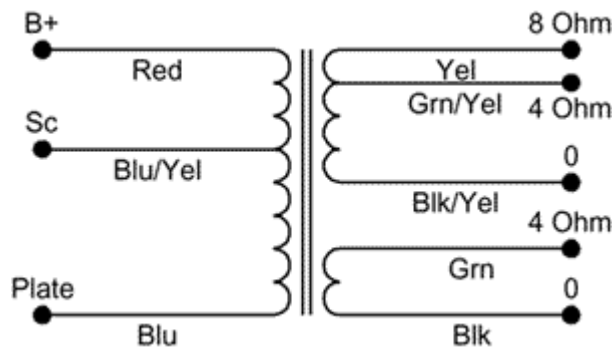
Cat. No.	Primary Winding Data	
	Inductance (Minimum)	DC Resistance (+/- 20%)
1627SE	21 H	280 Ohms
1628SE	79.6 H	355 Ohms
1629SE	159 H	492 Ohms
1640SE	25 H	89.7 Ohms
1642SE	53 H	240 Ohms

Mechanical Data:

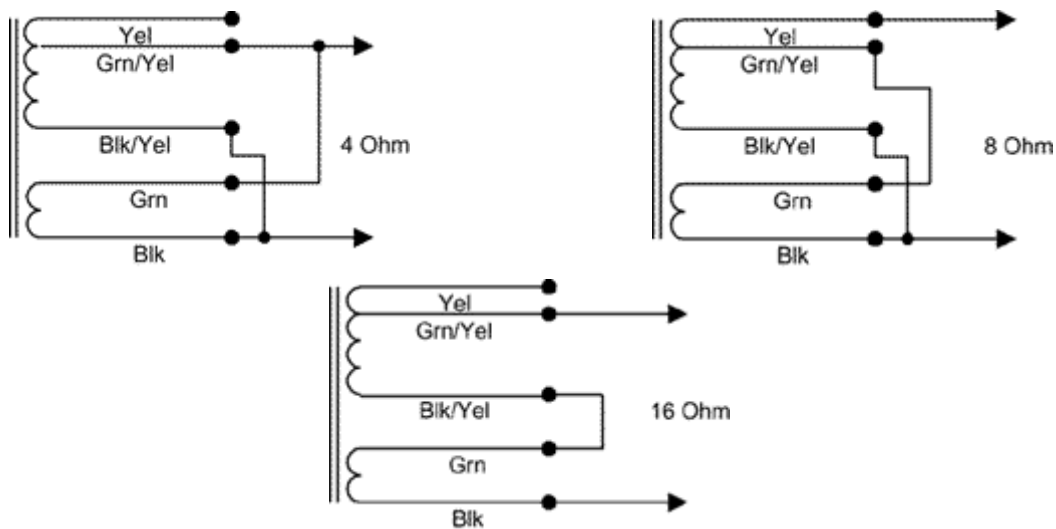


Cat. No.	Dimensions (Inches)					
	A	B	C	D	E	G (slot)
1627SE	3.75	5.00	4.56	3.00	3.81	.203 x .38
1628SE	3.75	5.00	4.56	3.00	3.81	.203 x .38
1629SE	3.75	5.00	4.56	3.00	3.81	.203 x .38
1640SE	3.75	5.00	4.56	3.00	3.81	.203 x .38
1642SE	4.38	7.50	5.25	3.50	5.88	.203 x .38

Schematic & Hook Up Data (except 1642SE):



Secondary Connections



Note: The 1642SE does not include a primary screen tap. It also uses easy hook up secondary taps (ie...16 ohm full winding with taps at 4 and 8 ohms).



catalog pages on this series (81K) [5C0050.pdf](#)

Exactly what you are looking for???
 Link to our stocking distributors - most have "on-line" pricing,
 stock check and ordering!!!

Our Distributors

Order from your favorite distributor

**Check out our "Classic" Product Distributors,
they specialize in this product...**



[HOME PAGE](#) 

Copyright; © 1998-2002 Hammond Mfg Co Inc
URL: <http://www.hammondmfg.com>